

Genie GS1930 Scissor Lift

Rental code

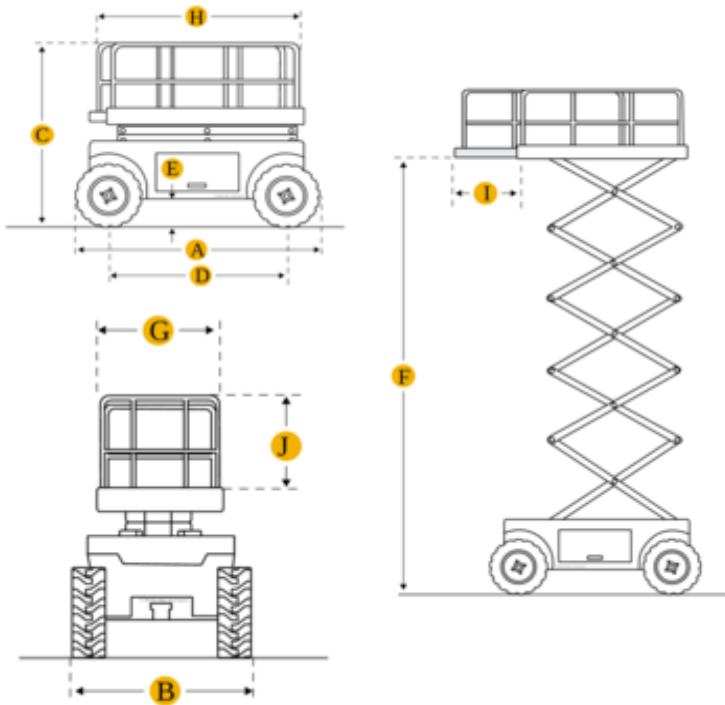
ESM078

Machine rental classification

↕ 7.8

227

Safety requirements



Machine specifications

Lifting propulsion	Electric
Driving propulsion	Electric
Max. platform height (m)	5.79
Max. working height (m)	7.79
Machine weight (Kg)	1226
Transport dimensions (LxWxH)	1.83 x 0.76 x 1.75
Platform dimensions (LxW)	1.63 x 0.74
Rec. number of people	1 2
Elevated manouvering	Yes

Charging (V)	100-120 V 220-240 V
Terrain & tires	Indoor, Non-marking Hard
Consumption (kWh)	8.73