

Rental code

EBA135

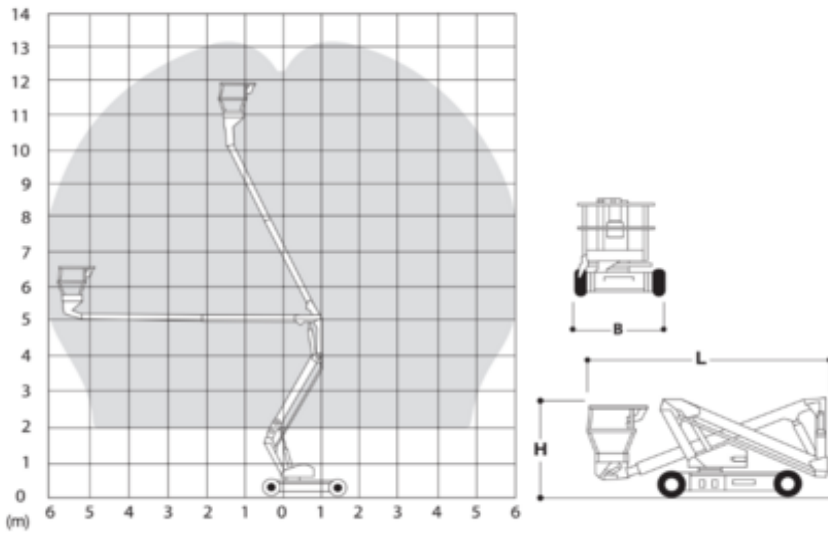
Machine rental classification

↕ 13.5

⤴ 6

⚖ 215

Safety requirements



Machine specifications

Lifting propulsion	Electric	Rec. number of people	1
Driving propulsion	Electric	Elevated manouvering	Yes
Max. platform height (m)	11.5	Charging (V)	220-240 V
Max. working height (m)	13.5	Terrain & tires	Indoor, Non-marking Hard
Max. working outreach (m)	5.9	Consumption (kWh)	8.73
Up and over height (m)	4.8	CO2 emission per hour (Kg)	6.5475
Machine weight (Kg)	3850		
Transport dimensions (LxWxH)	4.04 x 1.5 x 2		
Platform dimensions (LxW)	1.2 x 0.6		