

Rental code

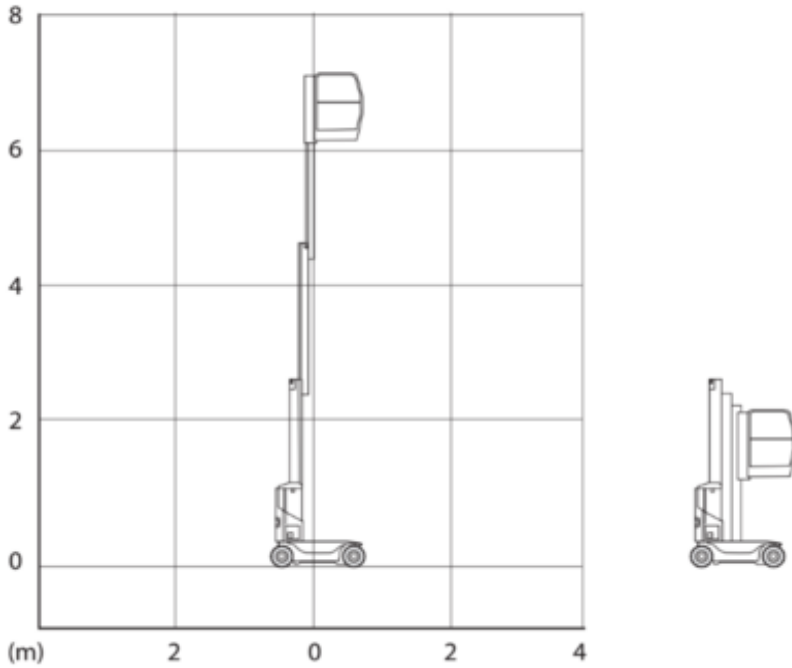
EVM078

Machine rental classification

↕ 7.8

159

Safety requirements



Machine specifications

Lifting propulsion	Electric	Charging (V)	100-120 V 220-240 V
Driving propulsion	Electric	Terrain & tires	Indoor, Hard
Max. platform height (m)	5.7	Consumption (kWh)	8.73
Max. working height (m)	7.7		
Machine weight (Kg)	1055		
Transport dimensions (LxWxH)	1.36 x 0.75 x 1.98		
Platform dimensions (LxW)	0.71 x 0.66		
Rec. number of people	1		
Elevated maneuvering	Yes		